

Heavy Duty Emulsifier series MC 250

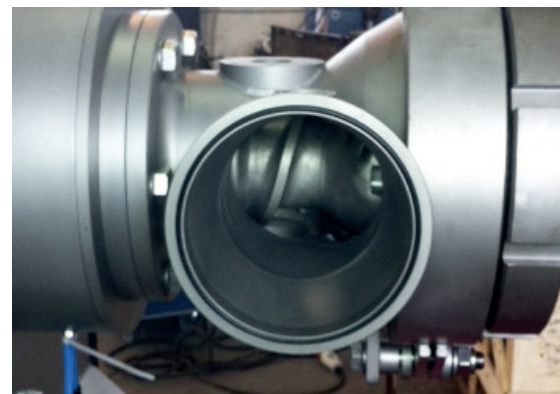


The industry workhorse - scansteel foodtech emulsifier does it all.

The scansteel foodtech emulsifier has a unique dual feed-/two steps feed system:

- **Standalone feed pump, feeding the lining/housing of the MC 250**
- **Feeding/crushing screw feeding the knife set**

The feed pump, with its own feeding screw with block breaking/bone breaking capabilities force feeds the scansteel foodtech MC 250 emulsifier lining/housing. Entering the lining/housing the feed screw of the MC 250 / MC 300 further force feed/grinds any particles, being frozen meat raw materials and/or bones. The feed screw with its recessed 3 bladed knife, distributes any products continuously toward the first hole plate securing optimal cutting/emulsifying effect.



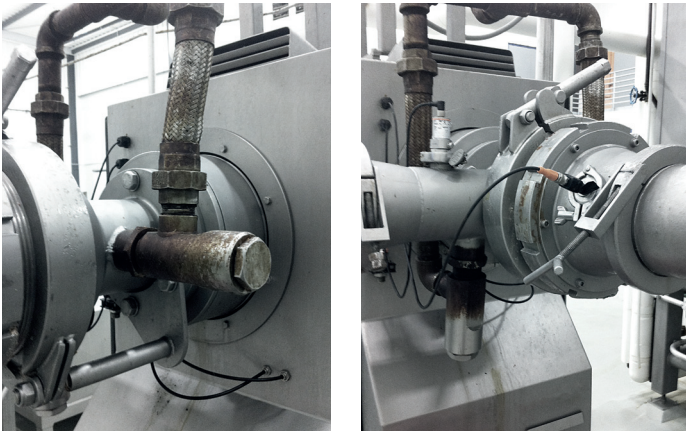
scansteel
foodtech

Energivej 3 • 4180 Soroe city • Denmark

Phone: +45 7027 1410

Fax: +45 7027 1411

Visit us at: www.scansteelfoodtech.com



Designed to emulsify/particle reduce, examples only, products such as:

- Pre-broken frozen meat raw material blocks
- Fresh meat raw material
- Chicken bones, pork bones, beef bones
- Frozen and fresh combination of above

Direct steam injection system:

Heavy Duty steam valves connected directly in-line in the lining/feed screw to secure even distribution of steam and subsequently final temperature.

Knife set:

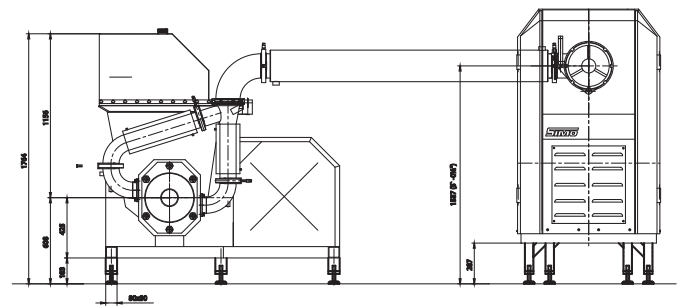
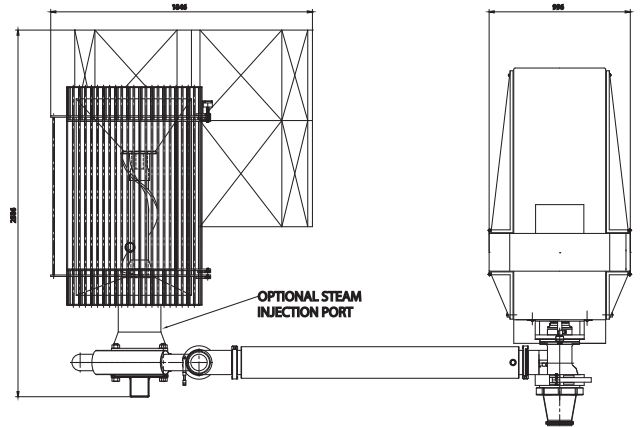
The scansteel foodtech emulsifier MC 250 and MC 300 can be equipped with single-, double- or triple knife set. Controllable emulsifying effect with more/less hole plates:

1 hole plate = 1 (one) cutting edge against hole plate

2 hole plates = 3 (three) cutting edges against hole plates

3 hole plates = 5 (five) cutting edges against hole plates

With the wide selection of knives and hole plates, the scansteel foodtech emulsifier MC 250 and MC 300 ensures you get the final emulsion- / final product quality you require.



Technical specifications	Unit	Model MC 250	Model MC 300
Capacity (approx.)	Kg/hr (lbs/hr)	4.000 – 12.000 kg/hr (8.800 – 26.000 lbs/hr)	6.000 – 18.000 kg/hr (13.000 – 40.000 lbs/hr)
Power/motor	kW	90-200 kW	90-200 kW
Length	mm	2300 mm	2300 mm
Width	mm	1000 mm	1000 mm
Height	mm	1700 mm	1700 mm
Weight	Kg (lbs)	1.500 kg (3.300 lbs)	2.000 kg (4.400 lbs)

scansteel
foodtech

Energivej 3 • 4180 Soroe city • Denmark

Phone: +45 7027 1410

Fax: +45 7027 1411

Visit us at: www.scansteelfoodtech.com